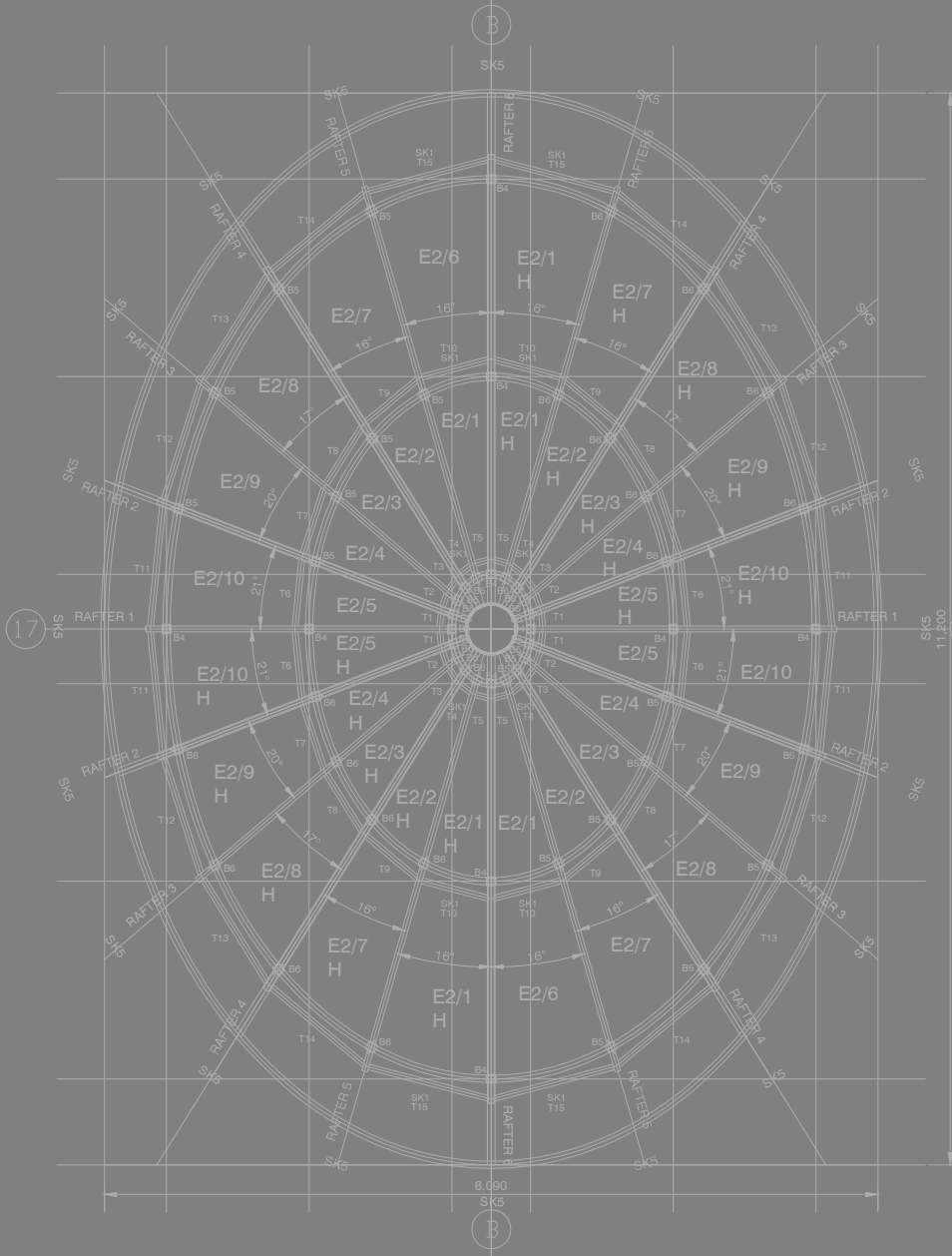


# Eastgate Centre Inverness Glazing

CMM were employed by specialist glazing contractor Haran Glass on this iconic retail project at the Center of Inverness.

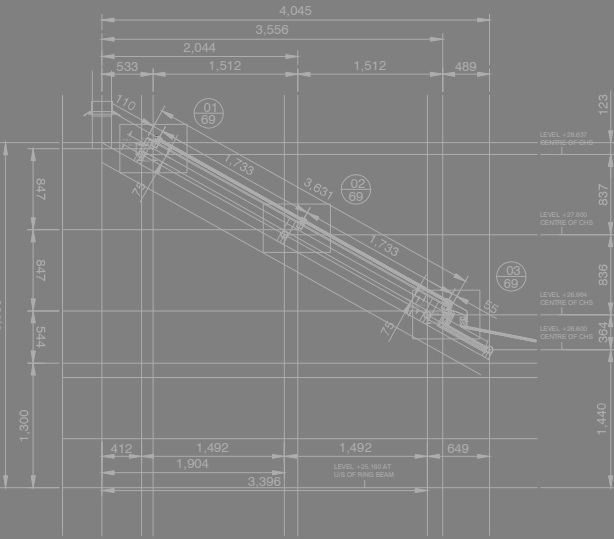
Our brief was to produce full, working drawings for the glazing systems, curtain walling and roof. The production phase of the project required more than 100 working drawings to be derived from CMM's 3D AutoCad models.

Architects **Hurd Rolland Partnership**



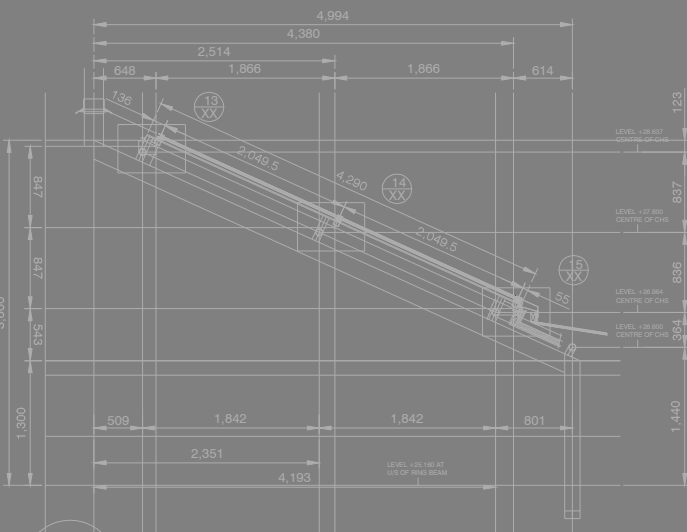
1

SECTION ON  
CL. OF  
RAFTER



17

SECTION ON  
CL. OF  
RAFTER



4



client

**Haran Glass**

**cmm**  
ARCHITECTS